



# SNP Chip, Non-Polarized, 85°C



## Features

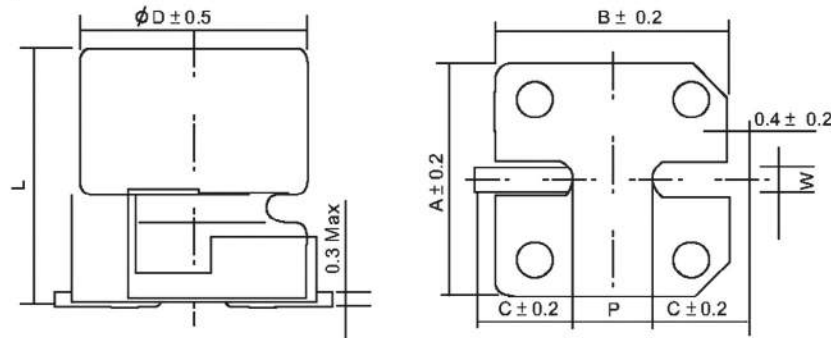
- 85°C, 2000 hours assured
- Vertical chip type miniaturized
- Bipolar capacitors for 5.4mm high capacitors

## Specifications

Item	Performance Characteristics																					
Operating Temperature Range	-40°C to +85°C																					
Capacitance Tolerance	±20% (at 120Hz, 20°C)																					
Leakage Current (at 20°C)	I=0.05 CV or 10 (μA) whichever is greater (after 2 minutes) Where, C=rated capacitance in μF. V=rated DC working voltage in V.																					
Dissipation Factor (Tan δ at 120Hz, 20°C)	Shown in the table of standard rating																					
Low Temperature Characteristics (at 120Hz)	Impedance ratio shall not exceed the values given in the table below.																					
	<table border="1"> <thead> <tr> <th>Rated Voltage(V)</th> <th>6.3</th> <th>10</th> <th>16</th> <th>25</th> <th>35</th> <th>50</th> </tr> </thead> <tbody> <tr> <td>Z (-25°C)/Z(+20°C)</td> <td>4</td> <td>3</td> <td>2</td> <td>2</td> <td>2</td> <td>2</td> </tr> <tr> <td>Z (-40°C)/Z(+20°C)</td> <td>8</td> <td>6</td> <td>4</td> <td>4</td> <td>3</td> <td>3</td> </tr> </tbody> </table>	Rated Voltage(V)	6.3	10	16	25	35	50	Z (-25°C)/Z(+20°C)	4	3	2	2	2	2	Z (-40°C)/Z(+20°C)	8	6	4	4	3	3
	Rated Voltage(V)	6.3	10	16	25	35	50															
Z (-25°C)/Z(+20°C)	4	3	2	2	2	2																
Z (-40°C)/Z(+20°C)	8	6	4	4	3	3																
Impedance Ratio																						
Load Life Test	Test Time	1000 Hrs																				
	Capacitance Change	Within ±25% of initial value																				
	Dissipation Factor	Less than 200% of specified value																				
	Leakage Current	Within specified value																				
	*The above specifications shall be satisfied when the capacitors are restored to 20°C after the rated voltage applied with rated ripple current for 2000 hrs at 85°C .																					
Shelf Life Test	Without voltage. Test time: 1000 hrs; other items are the same as those for the load life test.																					
Standards	JIS C 5101-1,-18																					

## Diagram of Dimensions: (Unit: mm)

Fig 1



φD	L	A	B	C	W	P ± 0.2	Fig No.
4	5.4 ± 0.3	4.3	4.3	2.0	0.5~0.8	1.0	1
5	5.4 ± 0.3	5.3	5.3	2.3	0.5~0.8	1.5	1
6.3	5.4 ± 0.3	6.6	6.6	2.7	0.5~0.8	2.0	1



## SNP Chip, Non-Polarized, 85°C

### Multiplier For Ripple Current VS. Frequency

V.DC(V)	Freq.(Hz)	50(60)	120	1K	10K UP
Under 16		0.8	1.0	1.15	1.25
25~35		0.8	1.0	1.25	1.40
50		0.8	1.0	1.35	1.50

### Case Size

WV	Cap (μF)	Size (mm) φDxL	Tol (%)	DF (%) (max) 120Hz, 20°C	R.C. (mA, rms) (max) 120Hz, 85°C
6.3	22	5x5.4	±20	0.35	27
	33	6.3x5.4	±20	0.35	41
	47	6.3x5.4	±20	0.35	49
10	10	4x5.4	±20	0.30	18
	22	6.3x5.4	±20	0.30	36
	33	6.3x5.4	±20	0.30	45
16	4.7	4x5.4	±20	0.25	14
	10	5x5.4	±20	0.25	23
	22	6.3x5.4	±20	0.25	39
	33	6.3x5.4	±20	0.25	48
25	3.3	4x5.4	±20	0.25	13
	4.7	5x5.4	±20	0.25	16
	10	6.3x5.4	±20	0.25	27
35	2.2	4x5.4	±20	0.25	10
	3.3	5x5.4	±20	0.25	14
	4.7	5x5.4	±20	0.25	17
	10	6.3x5.4	±20	0.25	28
50	0.1	4x5.4	±20	0.25	2
	0.22	4x5.4	±20	0.25	3
	0.33	4x5.4	±20	0.25	4
	0.47	4x5.4	±20	0.25	4.9
	1	4x5.4	±20	0.25	7
	2.2	5x5.4	±20	0.25	12
	3.3	5x5.4	±20	0.25	14
4.7	6.3x5.4	±20	0.25	19	